

2J6726B (DATASHEET)

Type	Satellite mobile antenna
Frequencies	IRIDIUM (1.616 - 1.626 GHz)
Mounting	Body mount
Revision	00

Low Axial Ratio
Excellent performance at low orbit
Vandal proof applications IK09
IP69K and IP67 waterproof standard

IRIDIUM CERTIFIED



P. Tipul



D. Noble



iridium
Iridium certified
Doc. ID: RPT-05399-IR

1. SPECIFICATION

1.1. Electrical Specifications

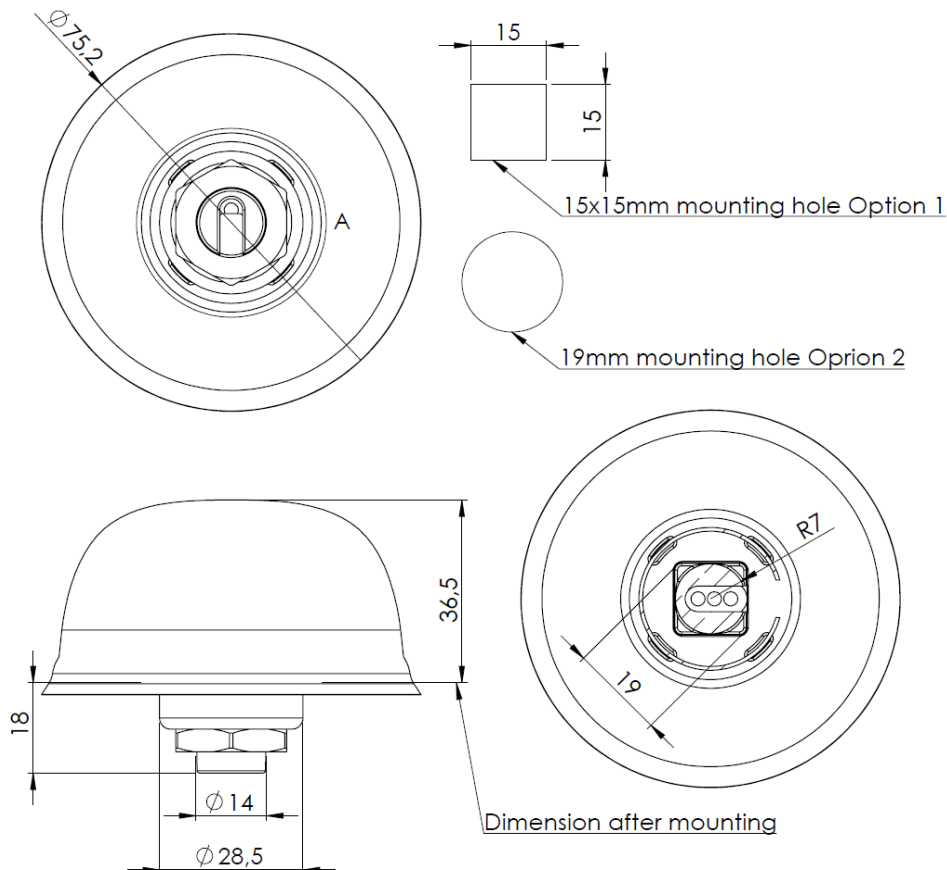
Frequencies	IRIDIUM (1.616 - 1.626 GHz)
Impedance	50 Ohms
Polarization	RHCP
Gain	3 dBiC
Patch size	35 x 35 x 3 (mm)
VSWR	<1.5:1
Operating temperature	-40°C to +85°C
Certificates	IP67, IP69K, IK09

1.2. Connection Specifications

Connector type: SMA male
 Cable type: H155
 Cable length: 150cm

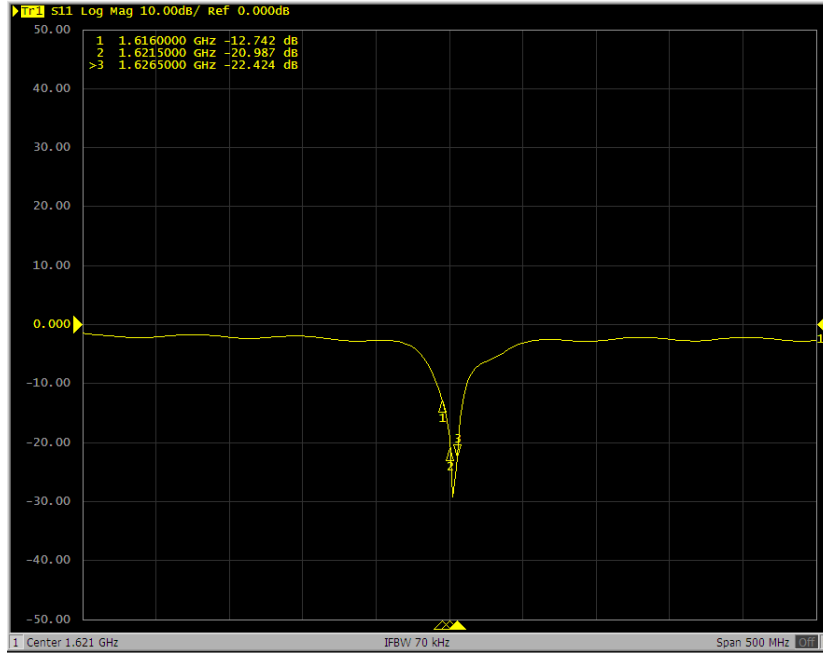
1.3. Mechanical Specifications and Dimensions

Material: Lid: ABS HI-121 or ASA / Gasket: TPE / Base: Zamak
 Max. dimensions: 36,5mm x 77.3mm (H x D after mounting on groundplane)
 Colour: Black (for different colours please ask our sales team)

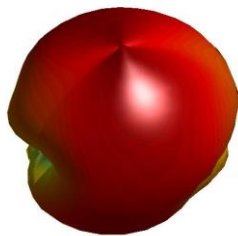


2. MEASUREMENT

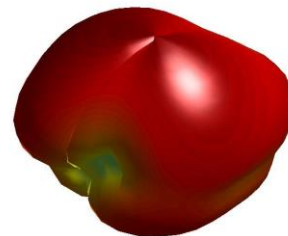
Log Mag



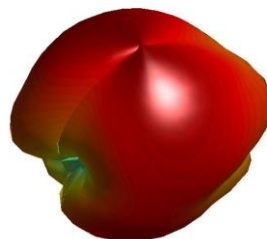
Freq = 1.616GHz Az= 45 EL= 45



Freq = 1.626GHz Az= 45 EL= 45



Freq = 1.621GHz Az= 45 EL= 45



3. PICTURES

