



9575A BAT61601 2860 mAh Battery Pack Datasheet

July 7, 2017

Scott Mallonee

Iridium Subscriber Equipment Engineering

Table of Contents

1	SUMMARY	3
2	SPECIFICATIONS.....	3
2.1	OUTSIDE APPEARANCE	3
2.2	BATTERY PACK CONTACT DEFINITION	4
2.3	BATTERY PACK CONFIGURATION.....	4
2.4	CELL SPECIFICATION.....	4
2.5	WEIGHT.....	4
2.6	OPERATING TEMPERATURE AND HUMIDITY RANGE.....	5
3	USE TIMES (TESTED).....	5
4	REGULATORY	5
5	MATERIAL SAFETY DATA SHEET (MSDS).....	5

Change Log

Date	Author	Notes	Revision
27-June-2017	S.Mallonee	Initial Issue	1.0

1 Summary

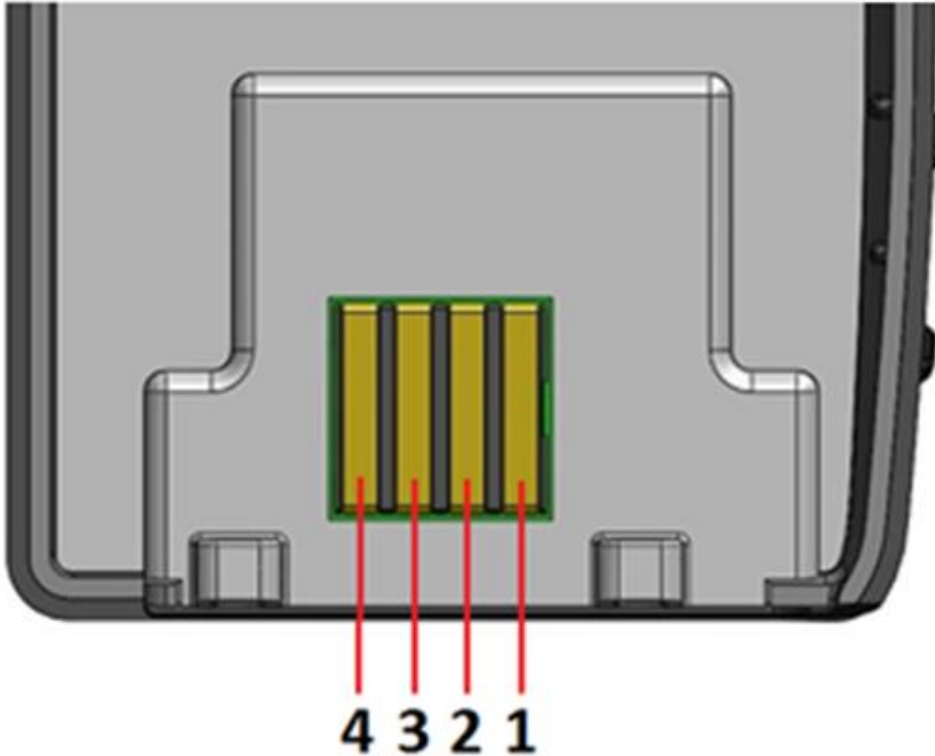
This is an Iridium Customer Support information package for the BAT61601 Battery Pack for the 9575A Satellite Phone. More detailed technical and testing information is available on request.

2 Specifications

2.1 Outside Appearance



2.2 Battery Pack Contact Definition



Pin definition:

Pin No.	Definition	Description
1	VBAT	Battery voltage (positive terminal)
2	WAKEUP	Pulled low via 1 K Ω resistor on SIM board to enable battery outputs
3	BATT_DATA	1-wire data to/from gas gauge in battery
4	PGND	Power ground (battery negative terminal)

2.3 Battery Pack Configuration

1S2P (1-series 2-parallel), 3.7V (nominal) / 3760mAh (nominal) / 13.9Wh

2.4 Cell Specification

Panasonic #UF703450F, 3.7V (nominal) /1430mAh (rated).

2.5 Weight

Approximately **85** grams

2.6 Operating Temperature and Humidity Range

Item	Specification	Remark
Operating temperature	0 °C ~ 40 °C	Charging
	-20 °C ~ 60 °C	Discharging
Operating Humidity	25 to 75%	

3 Use Times (Tested)

	9575A BAT61601	9575 BAT31001 (Standard Capacity)
Full Network Standby Time:	24h 49m	30h 37m
Test Time / in-call Time: (68%, 55% in call)	7h 7m / 3h 91m	8h 01m / 4h 22m
Battery Charging Time 'deep sleep mode'	2h 9m	2h 5m
Battery Charging Time for partially charged battery (from non-emergency low power off)	2h 6m	2h 5m

4 Regulatory

- Safety
 - IEC 62133(ed.2)
- Tested CE compliant
 - EN 62133:2013
 - EN 61000-6-1:2007
 - EN 61000-6-3:2007+A1
- Tested UNDOT compliant
 - UN38.3 – ST/SG/AC.10/11/Rev.6.EN

5 Material Safety Data Sheet (MSDS)

On file:

- MSDS BAT61601 v2.pdf
- Reference number: MSDS_ L02L40504_2017, 2017-01-12